

Tools

No special tools are required when working with **SWFC Deck** composite decking. **SWFC Deck** decking can be installed similar to wood using standard wood working tools.

Storage

- All boards must be stored flat on a solid and even surface. See the figures below.
- All boards must be supported by crossies vertically starting board end.

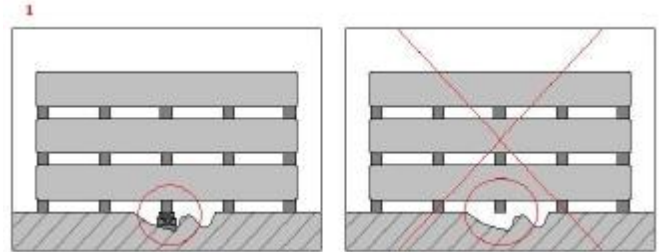
The support spaces are:

Deckboards: 600mm maximum on centre.

Battens: 600mm maximum on centre.

Skirting: 300mm maximum on centre.

- Do not stack more than eight pallets of deckboards.
- Do not stack more than 15 lengths of loose boards.
- Always stack loose boards straight and neat.
- All boards should be stored off wet and direct sunlight.



Safety First

- › Always wear gloves and eye protection and work in a well-ventilated area.
- › Do not burn **SWFC Deck** off-cuts.
- › Wear goggles when pressure washing or scrubbing.
- › Do not stack more than 15 lengths of boards in a row.
- › Keep children away from the work area until the job has been completed and tools have been stored safely.

Golden Rules

These golden rules were concluded from hands - on experience and have been tested by experience. It is advisable to bear these rules in mind all the times during your working with **SWFC Deck**.

Rule one: Always pre-drill before screwing.

Rule two: You must ensure that the support structure is strong and level.

Rule three: You must ensure that the gap of deck board, end to end, and deck board end to solid objects, are large enough.

Rule four: You must reduce the span accordingly at the area where the bearing load is expected to be the maximum.

Drainage and Ventilation

SWFC Deck decking must be installed with proper drainage and ventilation. To ensure that, it is recommended that:

1. The site must be have drainage or a gradient of 1 in 40 to allow the water to run-off.
 2. Remove any turf and 100mm minimum of topsoil where the deck will be placed.
 3. Replace the topsoil with gravel or hardcore.
 4. Lay a weed barrier covered with a light stopping layer of pea shingle on top.
 5. The substructure must allow a 50mm minimum drainage gap all round.
 6. There should be slight slant of the deck (2mm per metre minimum) to allow for drainage.
- Make sure that skirting does not impede any airflow under the deck.



SWFC Deck is not recommended for major structural applications. Any structural applications must be assessed by a qualified engineer, who should take full consideration of the bearing loads of the deck.

- Deckboards must have a minimum of three supports.
- Never attach deckboards directly to a solid surface.
- All joists must be fixed, levelled and centred.

Span Adjustment in Different Conditions

- For perpendicular to support joists, the maximum joist span is as in the span chart above.
- At a 60° angle, the maximum joist spanning is 50mm less than normal.
- At a 45° angle, the maximum joist spanning is 100mm less than normal.
- At a 30° angle, the maximum joist spanning is half of normal.
- In special conditions, like hot pools or saunas, where the boards will experience extremely higher temperatures, the maximum joist spanning is 100mm less than normal.
- The overhang for deckboard ends is 30mm maximum.

Golden Rule: Reduce the span accordingly at place of your deck where there will be heavy load.

Support Structure

All **SWFC Deck** decking must be built on a - compliant substructure.

Using SWFC Deck battens as material

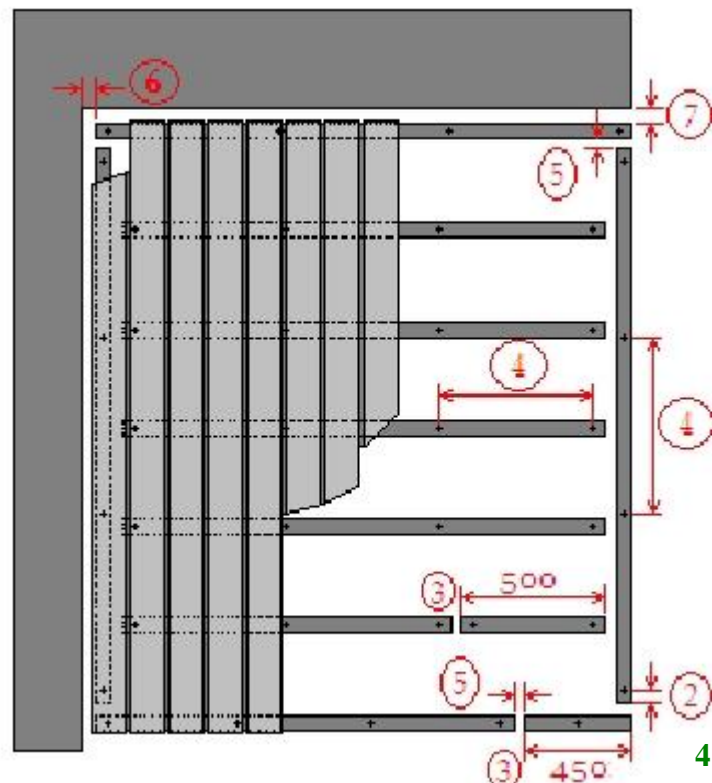
1. Substructure must be built on solid and even ground.
2. Battens shall be supported from 50mm off ends.
3. Two supports are required when batten is longer than 500mm.
4. Fastener space is 700mm maximum.
5. Space of THE baton end to end, and end to side is 5 to 20mm
6. Space between the batten end and a solid object is 10mm minimum.
7. Space between batten side and a solid object is 5mm minimum.

Alternative Structure

For all applications where **SWFC Deck** battens cannot be fully supported, please use a solid structure made by other material (wood, aluminum, steel etc.)

For elevated decks, please ensure that the joist spacing as well as the material are compliant with local and national building regulations.

Golden Rule: The support structure must be strong and level



Gaps between deckboards must be allowed, either end to end or side to side. This is for proper drainage and for the slight thermal expansion and contraction of the boards.

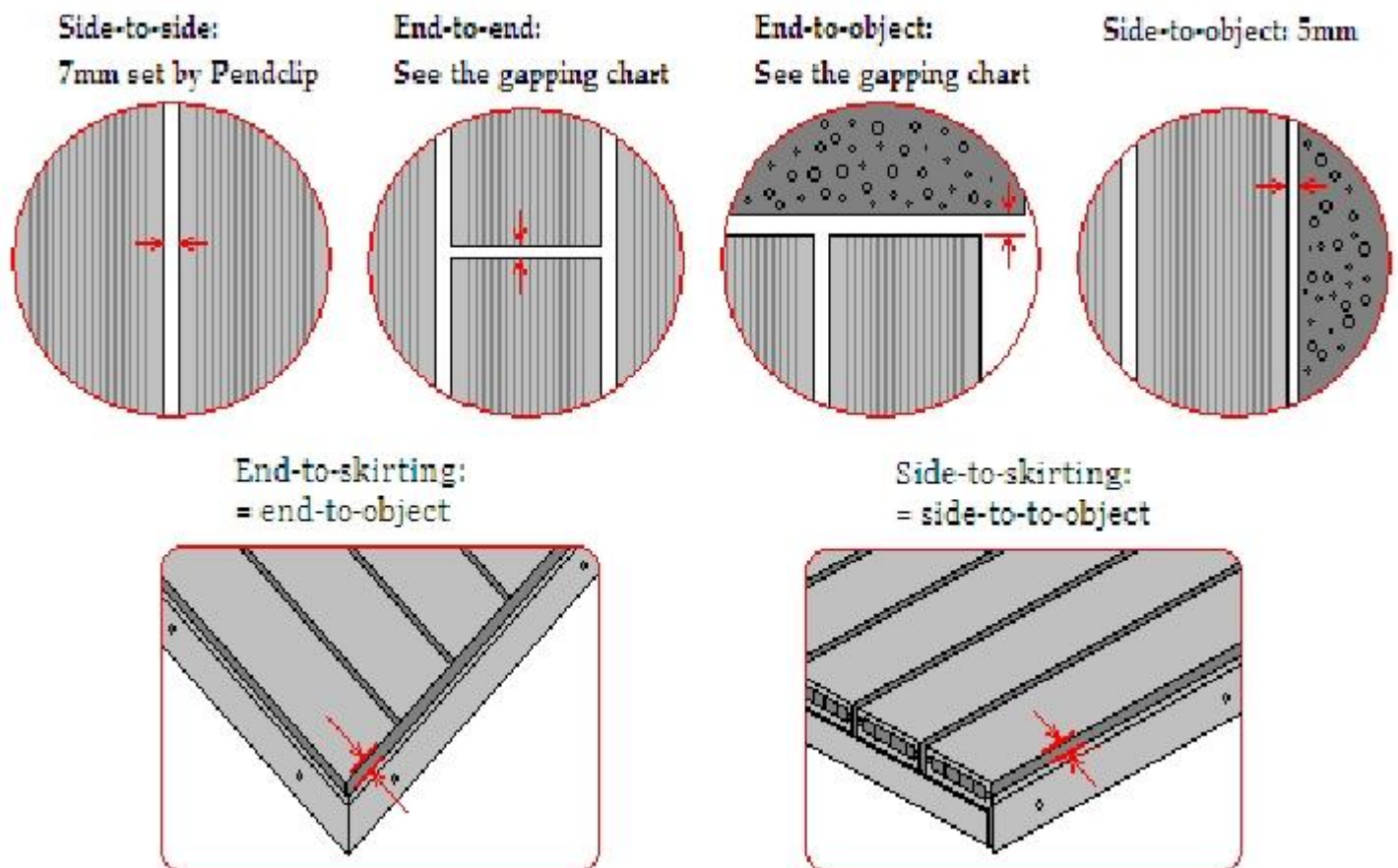
- **Side-to-side:** The gap between board sides is fixed at 7mm by clips. Our clips anticipate expansion and contraction of the boards.
- **End-to-end:** The gap between board ends depend on three factors: the length of the board, the temperature when installing and the local highest temperature. But here the gapping is simplified in the gapping chart below.
- **End-to-object:** The gap between board end and solid object, like wall or skirting, is also required. See the gapping chart below.
- **Side-to-object:** The gap of board side to solid object shall be 5mm minimum.

DECKING GAPPING CHART (Minimum)

Temperature	Gap of End - To - End		Gap of End - To - Object	
	Per Metre Length	Minimum	Per Metre Length	Minimum
Above 25°C	1mm	4mm	2.5mm	6mm
Below 25° C	1.5mm	6mm	3mm	8mm

Note: 1. This span chart is for East Asia and Europe, and where the highest temperature is no more than 55°C.

2. Two deck board lengths need to be added together in calculating their joint gap.

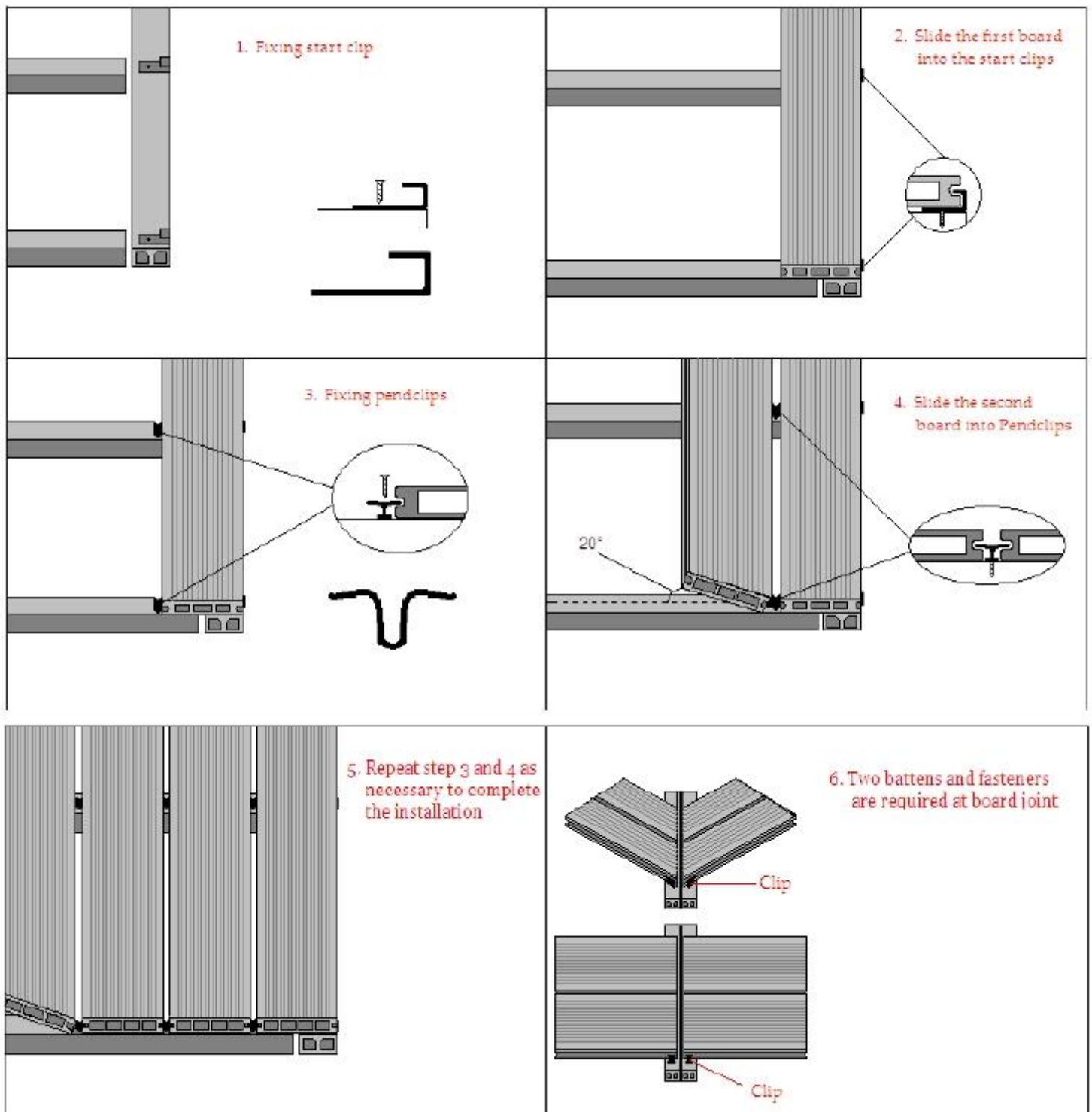


The basic rule of gapping between board ends: for each 30°C difference between the temperature at installation and your local highest temperature annually, gap of 1mm per metre length of the deck board must be allowed. For example, you install deck boards of 3.6m length at 25°C and your local highest temperature 55°C, then your gapping should be calculated as: $(3.6\text{m} + 3.6\text{m}) \times 1\text{mm} \times (55^\circ\text{C} - 25^\circ\text{C}) / 30^\circ\text{C} = 7.2\text{mm}$.

Golden Rule: The gap of end - to -end and end - to object must be large enough.

PendClips is a hidden fastener system that is specially designed for installation of AVID Deck decking. The designed gap of the clip is 7mm. The benefits of this clip system is:

1. Make your job easier for the perfect result.
2. Makes sure it lasts longer as it is made of stainless steel.
3. Making it flexible to anticipate the expansion and contraction of the boards.



Board Trimming

Deckboards may need cut off to fit the designed size of your deck. The allowable overhang of any board end is 30mm maximum. The allowable overhang of any board side is 9mm maximum. The allowable cutting details are:

Cutting off a deckboard from end:

The allowable overhang of a board end is 30mm maximum.

Cutting off a deckboard from side:

The allowable overhang of a board side is 9mm maximum.

Finishing

The end of deck boards can be fixed with either an end cap or skirting.

- Ensure that the skirting does not impede airflow under your deck.
- For current profiles of 72 x 1mm, support is required every 360mm maximum.
- For current profiles, the end fastener shall be placed 20mm minimum off edge in the middle of the board. Then the next fastener is 360mm maximum away and 20mm minimum off either upper or bottom side in a zigzag pattern.
- Gapping rules are applied to all **Avid Deck** boards as well as skirting boards. Minimum gaps of 5mm for end joints and 3mm for sides shall be allowed.

